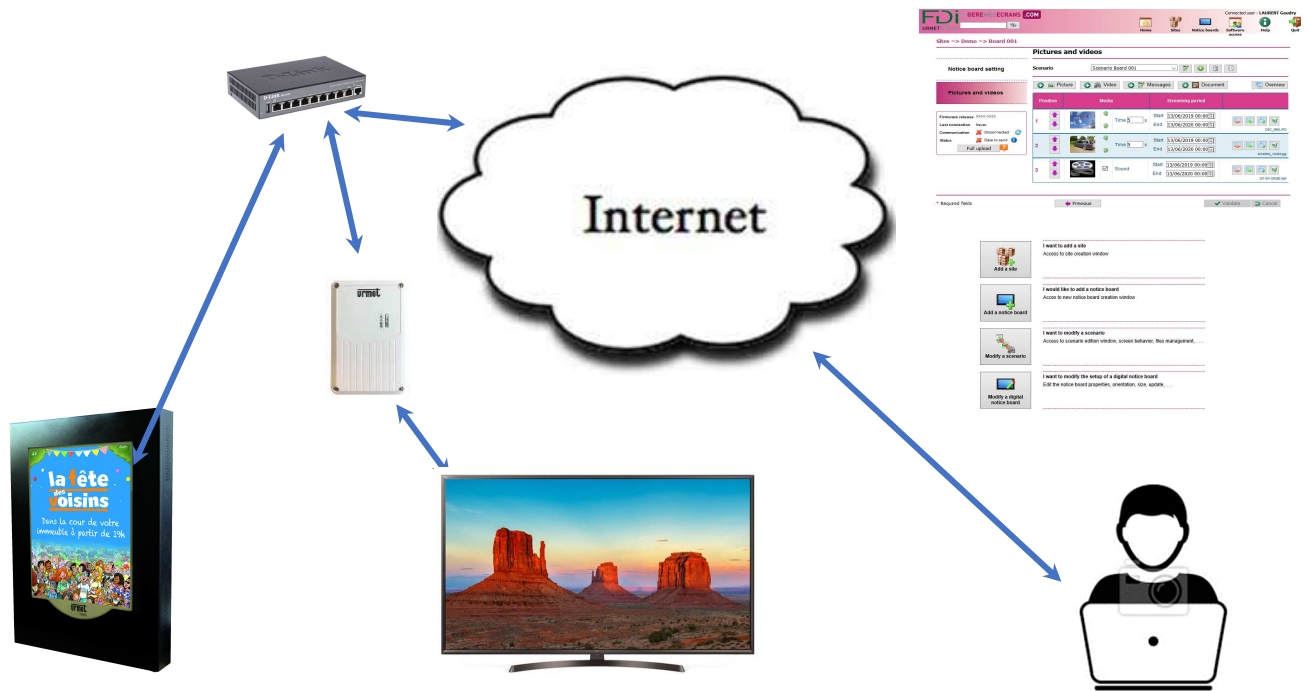


HDMI interface / 17" screen



Overview

FDI Matelec produces vandal proof digital notice boards and HDMI interfaces for third party screens. They have been designed to display files set-up on the web software www.ipnoticeboards.com.

The features are the same for both solutions and the HDMI interface can be connected to any tv or monitor through a HDMI cable.

This install and user guide covers both solutions.

Specifications

	17" display	HDMI interface
PSU	24VDC 5A	24Vdc (1A) or POE
Size	540 x 360 x 50 (H x W x D in mm)	198 x 120 x 40 (H x W x D in mm)
Protection	Tempered glass (Plastofloat 66)	N/A
Max resolution 16/9	1280 x 720 pixels	
Max resolution 4/3	1280 x 1024 pixels	
Maxi Size of the media files (any extension)	25 Mo	
Available formats	JPG, JPEG, PNG, AVI, MPEG, WMV	
Memory capacity	2 Go	

Identification



The "id" number has to be entered in the ipnoticeboard.com software

IP factory setting	:	DHCP
Notice board Id :		
12E . 012 . DE1 . 32E . 0AB . 4C5		
D.C : 1726		Fv 3001

Wiring diagram

HDMI interface

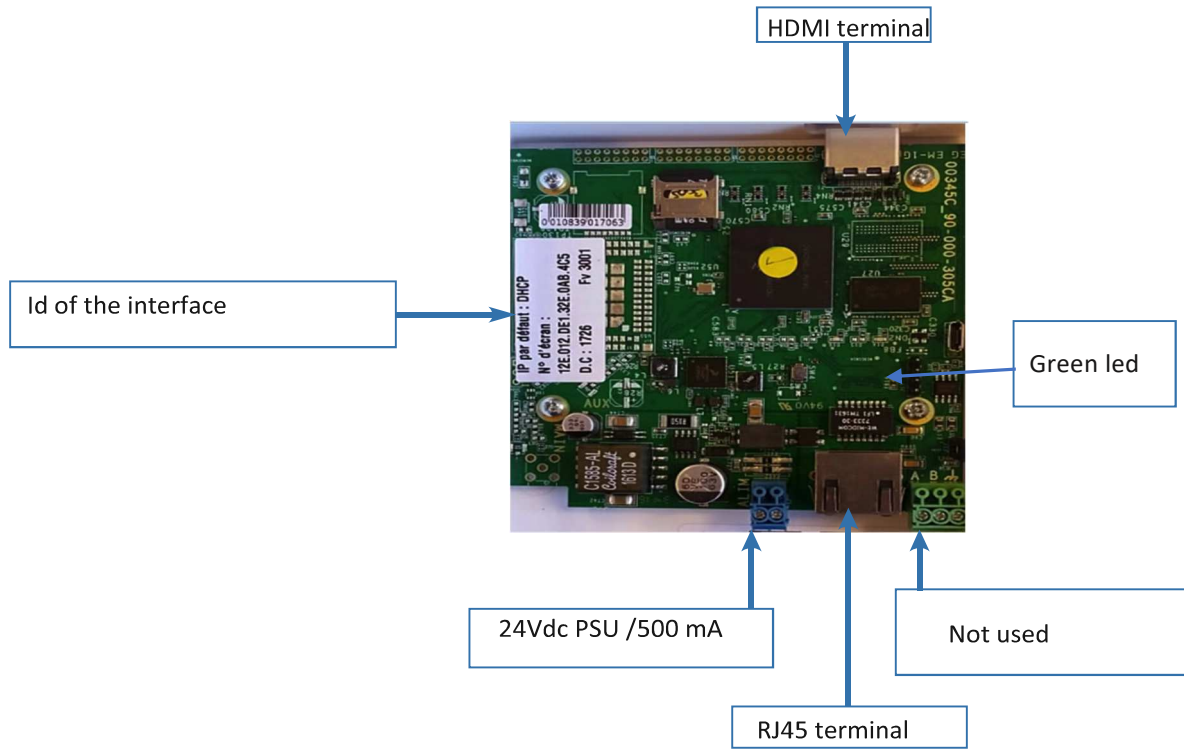
When the power supply is provided by the POE switch, the cable has to be CAT6 / 90 meters.

If the PSU is a 24Vdc/1A, the section of the cable has to be:

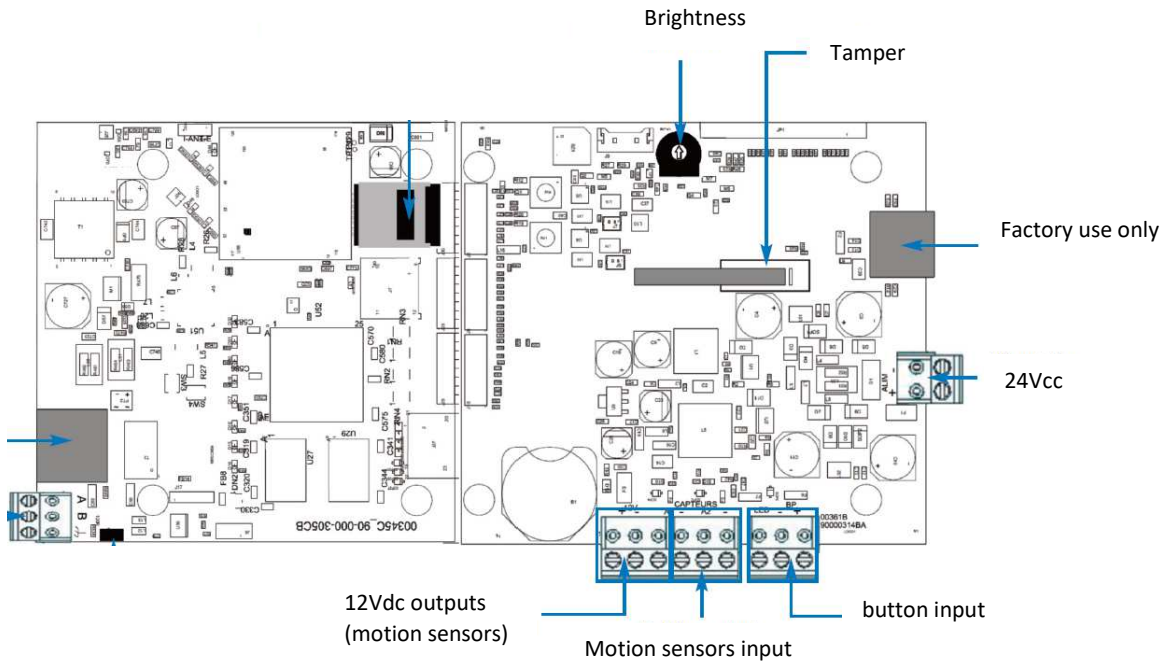
1mm² up to 10 meters

1.5mm² up to 20 meters

The HDMI interface has to be plugged to the TV/monitor through a standard HDMI cable.



17" screen

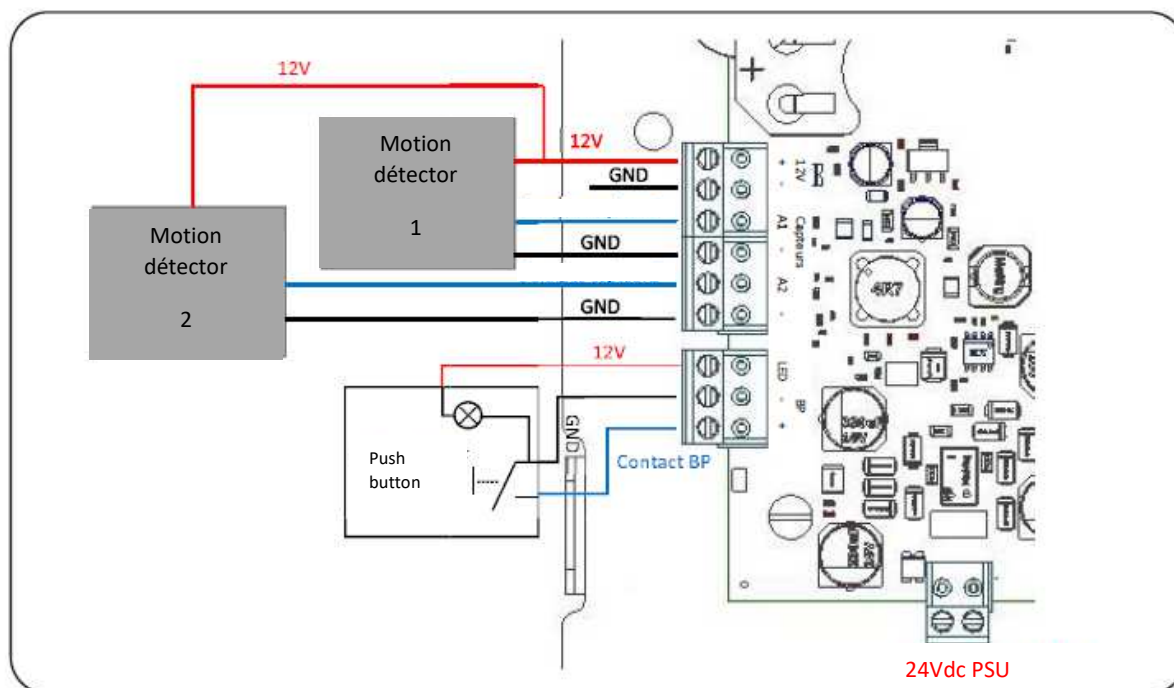


The section of the PSU cable has to be:

1mm² Up to 10 meters

1.5mm² up to 20 meters

Motion detector and push button wiring



Commissioning

The HDMI interface or the 17" screen needs an internet connection to reach the web software ipnoticeboard.com

By default, they use DHCP. In case the device needs to use a fix IP address, the FDI Ipsearch tool is required. The gateway and DNS servers need to be entered as the HDMI interface / 17" screen opens the communication with the ipnoticeboard.com server.

Programming

Open ipnoticeboard.com then create an account if you don't have one.

Note: a screen or interface ID is required to create your web account.

Create a site

A site is a building or group of buildings where the HDMI interfaces or the 17" screens are installed.

Click on Add a site



I want to add a site
Access to site creation window

Then fill the information in the empty fields:

Create a site

Name *	<input type="text" value="Site 001"/>
Address	<input type="text"/>
Zip code	<input type="text"/>
City	<input type="text"/>
Country	<input type="text" value="France"/>
Phone	<input type="text"/>
Comments	<input type="text"/>
Time zone *	<input type="text" value="UTC/GMT +02:00 Europe/Paris"/>

Manager

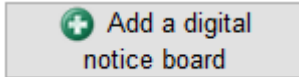
Last name *	<input type="text" value="LAURENT"/>
First name *	<input type="text" value="Gaudry"/>
Function *	<input type="text" value="Product manager"/>
Address *	<input type="text" value="ZA Les Etangs"/>
Zip code *	<input type="text" value="85130"/>
Town *	<input type="text" value="Les Landes genusson"/>
Country *	<input type="text" value="France"/>
Phone number	<input type="text" value="637035320"/>
Email	<input type="text" value="lgaudry@fdimatelec.com"/>

* Required fields

Fields with a * are mandatory.

The time zone has to be entered as the system manages time profiles. For example, a scenario can be displayed on day period but not on time period.

Create a digital notice board (=HDMI Interface or 17" screen)



Click on then enter a name plus the id of the device.

Note: two options are available but the first one “management of the push button” is only possible on the **vandal proof notice board** as it has special inputs.

The time profile management gives the availability to display any media on a time range: day time but not on night time for example.

Click on Validate.

Sites => Demo => Add a notice board

Notice board setting

Notice board setting

Pictures and videos

Name *

Digital notice board n* *

Speaker level

Management of the push button Yes Not

Management of time profile Yes Not

Scenario behavior

Scenario type	Trigger	presence	Management description
Board	<input type="checkbox"/> Press push button	<input type="checkbox"/>	Scenario working 24/7

* Required fields

Following

Add a scenario

From the digital notice board setting, choose the “**Pictures and video**” tab then enter a name.

Add pictures, video, messages or documents to the scenario.

Note : A streaming period can be specified for each media (date and time setting up)

For a picture, it is possible to select the display time (25 secs by default).

For the video, the audio can be ticked or unticked.

Pictures and videos

Scenario

Position	Media	Streaming period	
1	<input type="text" value="5"/> s	Start <input type="text" value="13/06/2019 00:00"/> End <input type="text" value="13/06/2020 00:00"/>	 DSC_0868.JPG
2	<input type="text" value="5"/> s	Start <input type="text" value="13/06/2019 00:00"/> End <input type="text" value="13/06/2020 00:00"/>	 20190502_123353.jpg
3	<input checked="" type="checkbox"/> Sound	Start <input type="text" value="13/06/2019 00:00"/> End <input type="text" value="13/06/2020 00:00"/>	 307 SW GR/SE.mp4

Communication status

Both digital notice board or HDMI interface are setup to communicate with the web software. Therefore, they need to have an internet access.

Every 5 minutes, a connection is triggered from the device to the server to check if any update is needed.

On the left hand side, the status of the device is displayed with

- The firmware release
- The date and time of the last connection (last time the hdmi interface or notice board opened a communication with the web server)
- The status of the communication and if the data is fully transferred to the notice board.

A click on the "Full upload" button will force an update of the device.


Notice board setting


Pictures and videos

Firmware release eV3008 04/08/2019

Last connection 13/06/2019 16:50:12

Communication  Connected 

Status  Data ok

Full upload 

Information of union harmonisation legislation

FDI MATELEC, as a manufacturer, declares under its sole responsibility that the product IP Notice board complies with the relevant Union harmonisation legislation:

RED 2014/53/EU – CEM 2014/30/EU – ROHS 2011/65/EU

This declaration is fully available on request at sales@fdimatelec.com or on our web site www.fdimatelec.com under this product part number.

Product end of life management

Do not throw this product away with household waste. Please use your local recycling collection points to make sure this product is properly recycled.